

Service Information



NAKAMICHI

Model Nakamichi 580, 581, 582
Serial No. from
Subject Countermeasure for Unexpected Shut-Off in Playing or Recording.

No. NR-0036
Date 5/16/79

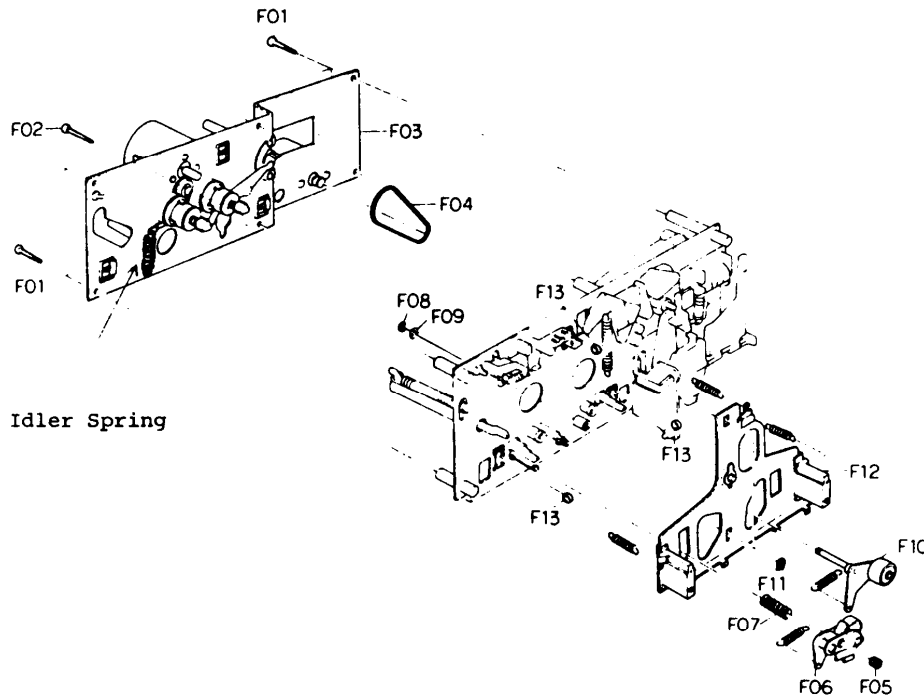
1) Explanation of problem.

The problem is that after playing or recording for a while, the unit will drop out to the stop mode unexpectedly. When the pressure of the idler pulley on the take-up reel hub is insufficient, it becomes harder to get a constant torque on the take-up reel hub. This creates the possibility of the shut-off problem.

This service information will tell you that the idler spring shall be replaced to remedy the problem.

2) Replacement of Idler Spring.

- a) Replace the idler spring from original one (15g) to new one (25g) to make the pressure of the idler pulley on the take-up reel hub stronger.
- b) The part number of this new idler spring is 0C08127B.
- c) Location of the idler spring is shown in the figure below.



- d) Clean the idler pulley and the reel hub after replacing the idler spring so that the energy will be transferred smoothly from the idler pulley to the reel hub.