

Service Information



NAKAMICHI

Model NAKAMICHI 580, 581, 582
Serial No. from

Subject Countermeasure for Unexpected
Shut-off in Playing or Recording

No. NR-0037 (1/2)
Date 8/20/79

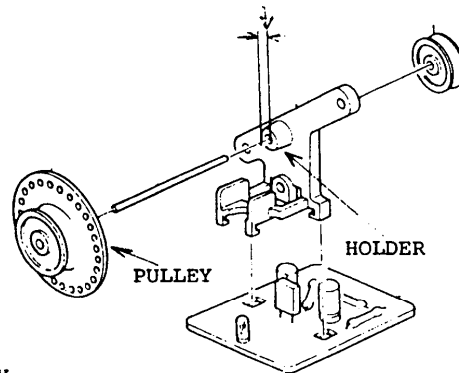
This is the service information to remedy the unexpected shut-off problem in playing or recording.

A) Cause of Problem

A certain number of the 580 series have the Auto Shut-off Ass'y in which the Shut-off pulleys have been assembled too tightly. These pulleys rotate hardly in playing or recording, and this causes the shut-off problem.

This service information will show how to readjust these pulleys' condition. There should be 0.3mm - 0.5mm gap between the pulley and the holder so that they can rotate smoothly.

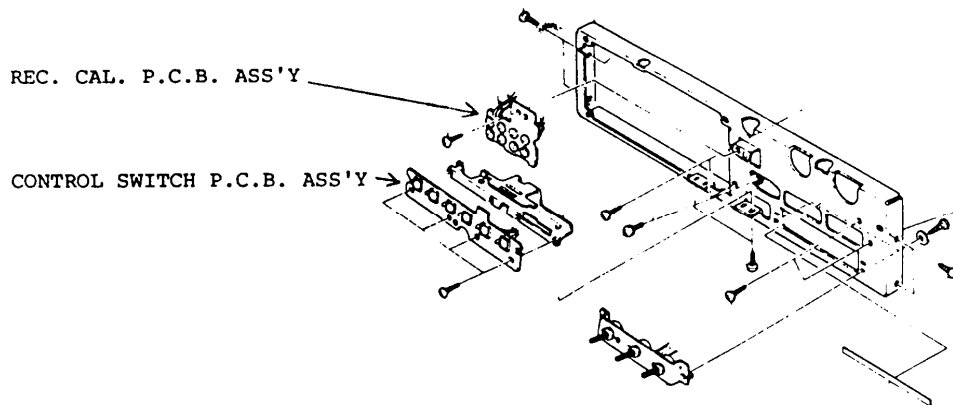
There should be 0.3mm-0.5mm gap between PULLEY and HOLDER.



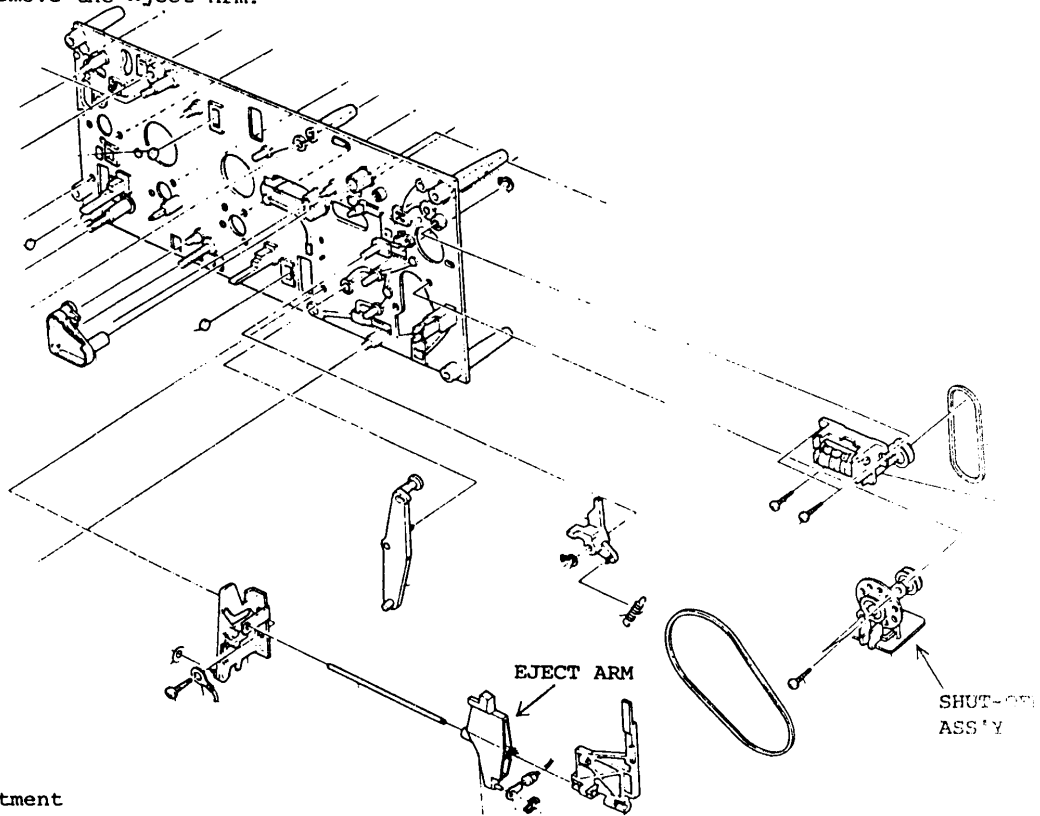
B) Adjustment Procedure

1. Disassembling

- 1-1). Remove the Top cover Ass'y.
- 1-2). Remove the Front Cabinet Ass'y.
- 1-3). Remove the Record Cal. P.C.B. Ass'y.
- 1-4). Remove the Control Switch P.C.B. Ass'y.

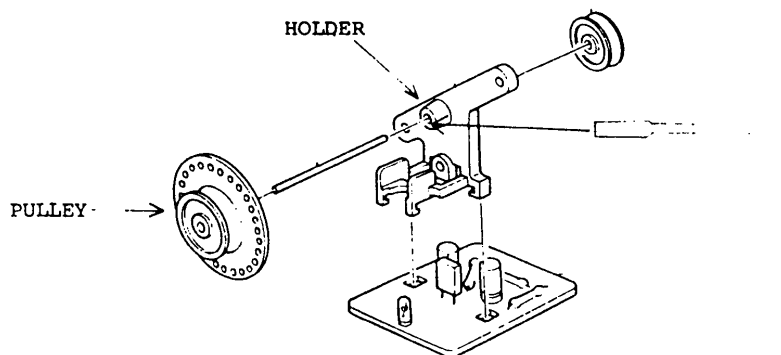


1-5). Remove the Eject Arm.



2. Adjustment

2-1). Insert screw driver to inside of the Shut-off Pulley.



2-2). Push the Pulley by screw driver so that you can make 0.3mm-0.5mm gap between the Pulley and the Holder.
(Do not push the Pulley too hard. The Pulley will be taken apart from the shaft easily.)

3. Re assembling

3-1). Assemble the all removed parts.