

# Service Information



NAKAMICHI

Model Nakamichi 700  
 Serial No. from 3714701  
 Subject Modification of Erase Head and  
Pressure Roller Arm Ass'y

No. NR-0002 (1/4)  
 Date 15 June 1976

**I. General:**

**A. Purpose:**

1. Modification of Erase Head:
  - a. Improvement of erasure-efficiency.
  - b. Improvement of tape guide wearing.
  - c. Improvement of tape travelling.
2. Modification of Pressure Roller Ass'y:
 

Improvement of accuracy and tape travelling.

**B. Compatibility with Previous Type:**

<u>New Type</u>	<u>Compatibility</u>	<u>Previous Type</u>
Pressure Roller Arm (D) Ass'y S .....CA05208A (for supply side, includes erase head)	Compatible	Pressure Roller Arm (C) Ass'y S (700) ....CA-5164
Pressure Roller Arm (D) Ass'y T .....CA05207A (for take-up side)	Compatible	Pressure Roller Arm (C) Ass'y T (700) ....CA-5162
E-53 Erase Head ....GAO2011A	Not Compatible	E-52 Erase Head .....G-8
Head Mount Base (E) Ass'y .....CA05168B	Compatible	Head Mount Base (E) Ass'y .....CA-5168A

Note 1: When previous erase head is replaced, to replace the previous pressure roller to the new pressure roller arm (D) ass'y S is required.

Note 2: When supply (or take-up) side of pressure roller arm ass'y is replaced with new type, it is possible to leave the previous type take-up (or supply) pressure roller arm ass'y.

Note 3: Pressure Roller Arm (D) Ass'y S (CA05208A) and Pressure Roller Arm (D) Ass'y T (CA05207A) are the same parts incorporated in Nakamichi 1000.

# Service Information



NAKAMICHI

Model Nakamichi 700  
 Serial No. from

NR-0002

No. \_\_\_\_\_ (2/4)  
 Date \_\_\_\_\_

Subject \_\_\_\_\_

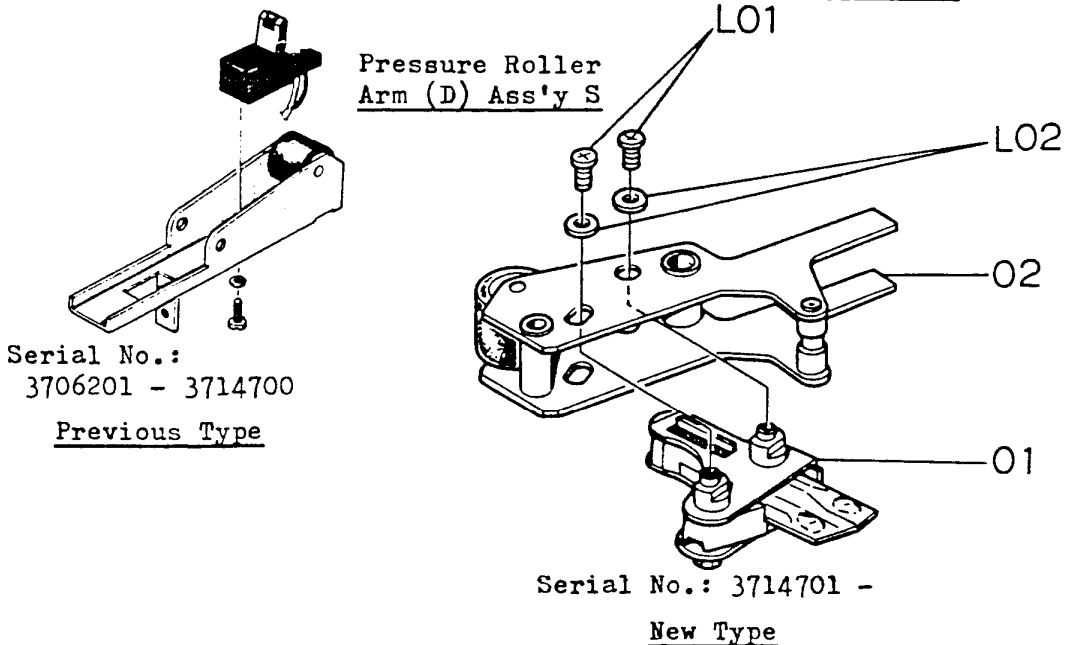
## C. Readjustment:

When pressure roller arm ass'y is replaced, following readjustments are required: (Refer to Nakamichi 700 Service Manual.)

1. Supply Pressure Roller Arm Ass'y:
  - a. Readjustment of bias oscillation frequency.
  - b. Tape guide height and tape travelling.
2. Take-up Pressure Roller Arm Ass'y:
  - a. Re-check of tape travelling.

## II. Modification:

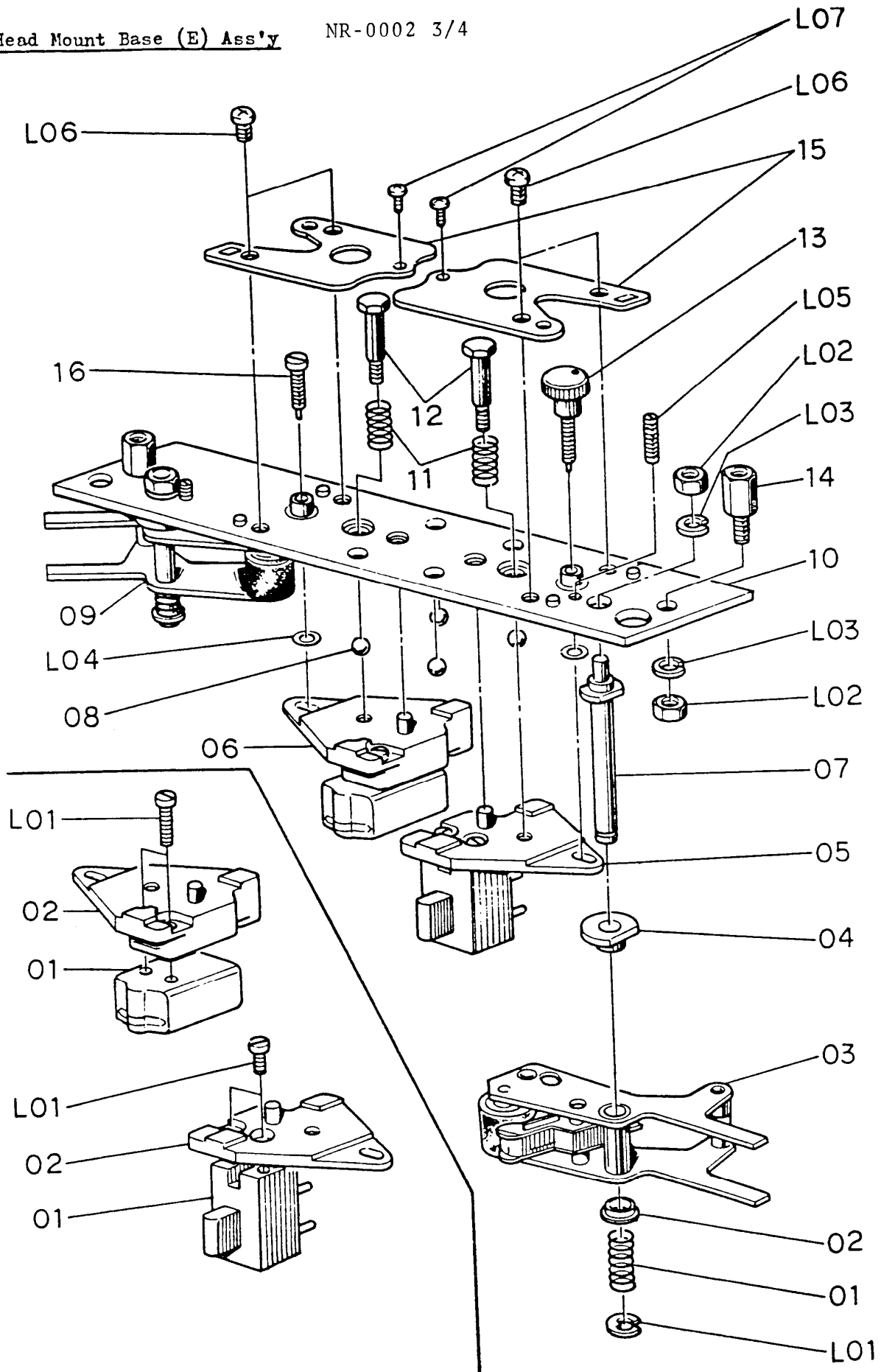
Head Mount Base (E) Ass'y: Part No. CA-5168A to CA05168B  
 Pressure Roller Arm (D) Ass'y S : CA-5164 to CA05208A  
 Pressure Roller Arm (D) Ass'y T : CA-5162 to CA05207A



Schematic Ref. No.	Part No.	Descriptions	Q'ty
	CA05208A	Pressure Roller Arm (D) Ass'y S	1
01	GA02011A	E-53 Erase Head	1
02	CA05207A	Pressure Roller Arm (D) Ass'y T	1
L01	OE00691A	Screw M2-3 Philips Pan Head	2
L02	OE00117A	Washer 2mm	2

Head Mount Base (E) Ass'y

NR-0002 3/4



# Service Information



**NAKAMICHI**

Model Nakamichi 700  
 Serial No. from

NR-0002

No. (4/4)

Subject \_\_\_\_\_

Date \_\_\_\_\_

## Parts List

Schematic Ref. No	Part No.	Description	Qty
	<b>CA-5168</b>	<b>Head Mount Base (E) Ass'y</b>	1
01	C5179	Pressure Arm Shaft Spring	2
02	C-5175	Pressure Arm Collar (B)	2
03	CA-5208	Pressure Roller Arm (D) Ass'y S	1
04	C-5174	Pressure Arm Collar (A)	2
05	CA-5174	Record Head Ass'y (A)	1
06	CA-5173	Playback Head Ass'y (A)	1
07	C-5477	Pressure Arm Shaft (C)	2
08	C-3595	3mm Steel Ball	4
09	CA-5207	Pressure Roller Arm (D) Ass'y T	1
10	CA-5169	Head Mount Base (F) Ass'y	1
11	C-5555	Head Spring (B)	2
12	C-5559	Head Spring Shaft (A)	2
13	C-5562	R.H. Azimuth Screw 700	1
14	C-5565	Plate Stud (A)	2
15	C-5556	Head Pressure Plate	2
16	C-5558	P.H. Azimuth Screw	1
-	B-7551	10P Plug Board	1
L01	E-222	E-Ring 2	2
L02	E-507	Nut Hex M3	4
L03	E-581	Washer 3 Spring	4
L04	C-5567	Washer 1	2
L05	E-629	Screw M2.6x8 Cup Point	2
L06	E-120	Screw M2.6x3 Philips Pan Head	4
L07	E-692	Screw M2x2.5 Philips Pan Head (JCIS)	2

Note: CA-5208 is equal to CA05208A.