

Service Information



NAKAMICHI

Model Nakamichi 1000
 Serial No. from 3109651
 Subject Modification of Erase Head and
Pressure Roller Arm Ass'y

No. NR-0003 (1/4)
 Date 15 June 1976

I. General:

A. Purpose:

1. Modification of Erase Head:
 2. a. Improvement of erasure-efficiency.
 - b. Improvement of tape guide wearing.
 - c. Improvement of tape travelling.
2. Modification of Pressure Roller Ass'y:
 - Improvement of accuracy and tape travelling.

B. Compatibility with Previous Type:

<u>New Type</u>	<u>Compatibility</u>	<u>Previous Type</u>
Pressure Roller Arm (D) Ass'y S ...CA05208A (for Supply side, includes erase head)	Compatible	Pressure Roller Arm (B) Ass'y SCA-5163
Pressure Roller Arm (D) Ass'y T ...CA05207A (for Take-up side)	Compatible	Pressure Roller Arm (B) Ass'y TCA-5161
E-53 Erase HeadGA02011A	Not compatible	E-52 Erase HeadG-8
Head Mount Base (D) Ass'yCA05167A	Compatible	Head Mount Base (D) Ass'yCA-5167B

Note 1: When previous erase head is replaced, to replace the previous pressure roller to the new pressure roller arm (D) ass'y S is required.

Note 2: When supply (or take-up) side of pressure roller arm ass'y is replaced with new type, it is possible to leave the previous type take-up (or supply) pressure roller arm ass'y.

Note 3: Pressure Roller Arm (D) Ass'y S (CA05208A) and Pressure Roller Arm (D) Ass'y T (CA05207A) are the same parts incorporated in Nakamichi 700.

Service Information



NAKAMICHI

Model Nakamichi 1000
 Serial No. from

No. NR-0003 (2/4)
 Date _____

Subject _____

C. Readjustment:

When pressure roller arm ass'y is replaced, following readjustments are required: (Refer to Nakamichi 1000 Service Manual.)

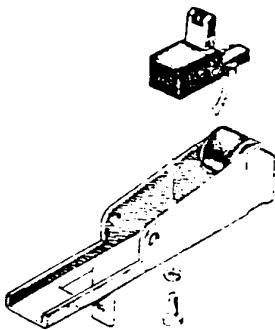
1. Supply Pressure Roller Arm Ass'y:
 - a. Readjustment of bias oscillation frequency.
 - b. Tape guide height and tape travelling.
2. Take-up Pressure Roller Arm Ass'y:
 - a. Re-check of tape travelling.

II. Modification:

Head Mount Base (D) Ass'y: Part No. CA-5167A to CA05167B

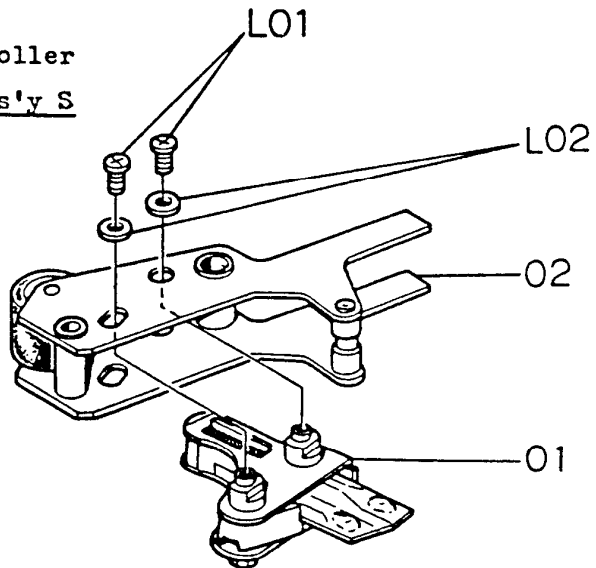
Pressure Roller Arm (D) Ass'y S: CA-5163 to CA05208A

Pressure Roller Arm (D) Ass'y T: CA-5161 to CA05207A



Serial No.:
 3105801 - 3109650
Previous Type

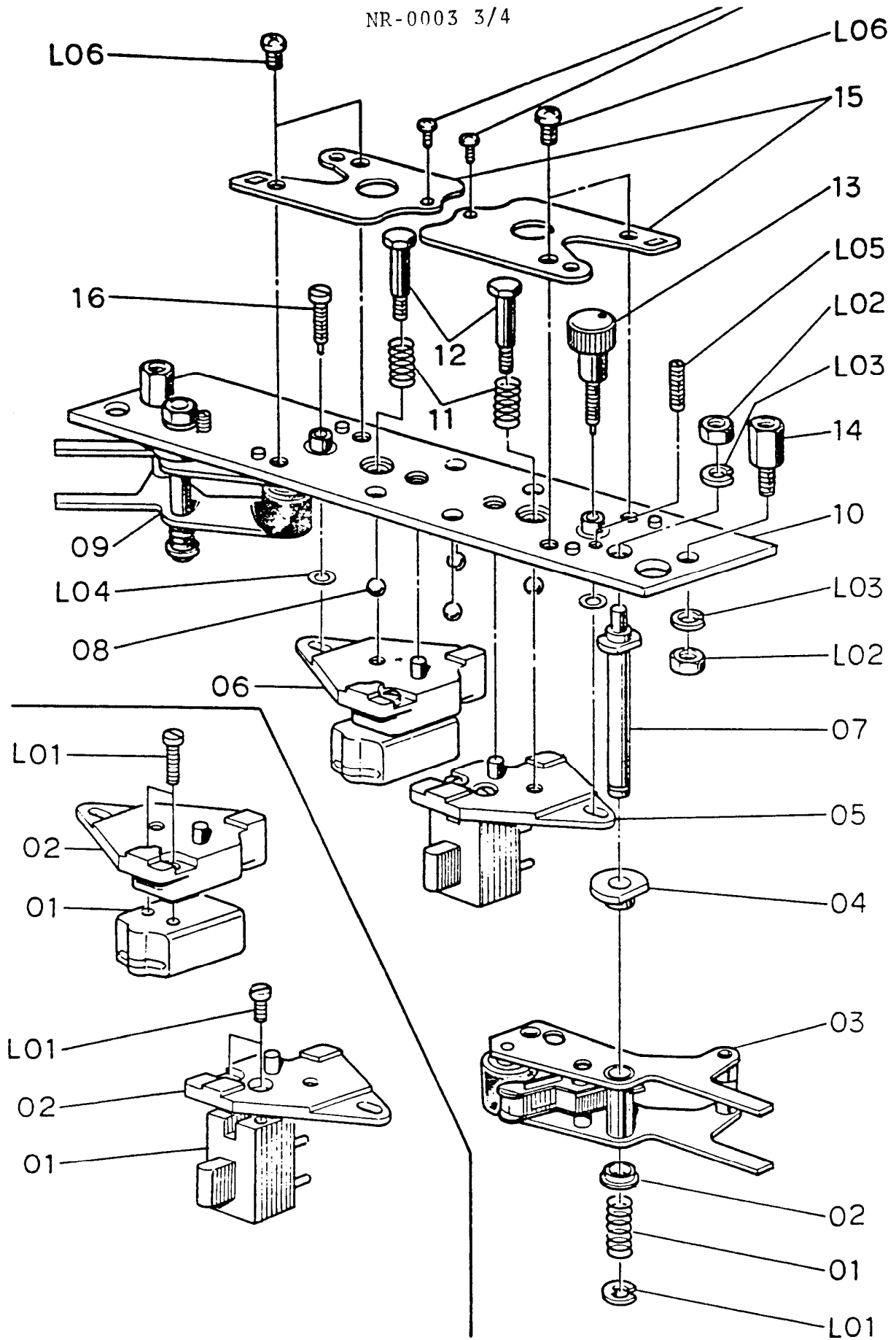
Pressure Roller
 Arm (D) Ass'y S



Serial No.: 3109651 -
New Type

Schematic Ref. No.	Part No.	Descriptions	Q'ty
	CA05208A	Pressure Roller Arm (D) Ass'y S	1
01	GA02011A	E-53 Erase Head	1
02	CA05207A	Pressure Roller Arm (D) Ass'y T	1
L01	OE00691A	Screw M2-3 Philips Pan Head	2
L02	OE00117A	Washer 2mm	2

NR-0003 3/4



Service Information



NAKAMICHI

 Model Nakamichi 1000
 Serial No. from

NR-0003

 No. _____ (4/4)
 Date _____

Subject _____

Parts List (Head Mount Base (D) Ass'y)

<u>Ref. No.</u>	<u>Part No.</u>	<u>Description</u>	<u>Q'ty</u>
E01	CA-5167B	Head Mount Base (D) Ass'y	1
01	C-5179	Pressure Arm Shaft Spring	2
02	C-5175	Pressure Arm Collar (B)	2
03	CA-5208	Pressure Roller Arm (D) Ass'y S	1
04	C-5174	Pressure Arm Collar (A)	2
05	CA-5174	Record Head Ass'y (A)	1
06	CA-5173	Playback Head Ass'y (A)	1
07	C-5477	Pressure Arm Shaft (C)	2
08	C-3595	3mm Steel Ball	4
09	CA-5207	Pressure Roller Arm (D) Ass'y T	1
10	CA-5169	Head Mount Base (F) Ass'y	1
11	C-5555	Head Spring (B)	2
12	C-5559	Head Spring Shaft (A)	2
13	C-5561	R.H. Azimuth Screw	1
14	C-5564	Plate Stud	2
15	C-5556	Head Pressure Plate	2
16	C-5558	P.H. Azimuth Screw	1
-	B-7551	LOP Plug Board	1
L01	E-222	E-ring 2	2
L02	E-507	Nut Hex M3	4
L03	E-581	Washer 3 Spring	4
L04	C-5567	Washer 1	2
L05	E-629	Screw M2.6-8 Cup Point	2
L06	E-120	Screw M2.6-3 Philips Pan Head	4
L07	E-692	Screw M2-2.5 Philips Pan Head (JCIS)	2

Note: CA-5208 is equal to CA05208A.