

# Service Information



Model Nakamichi 600  
 Serial No. from 3814501

Subject Motor & Governor Ass'y Modification

No. NR-0008 (1/3)  
 Date 9 August 1976

## I. General:

### A. Purpose:

Reduction of noise generated from motor.

### B. Modification:

MHX Governor P.C.B. Ass'y has been changed to MHX Governor P.C.B. Ass'y (B).

MHX Motor Ass'y has been modified.

### C. Compatibility:

Previous MHX Governor P.C.B. Ass'y is compatible with new MHX Governor P.C.B. Ass'y (B).

New MHX Governor P.C.B. Ass'y (B) and previous MHX Motor Ass'y can be combined.

New MHX Motor Ass'y is compatible with previous MHX Motor Ass'y, though motor and motor pulley have been changed (see Fig.1).

### D. Readjustment:

When motor or governor ass'y is replaced, adjust the belt travelling (refer to item 5.6 "Belt Travelling Adjustment" on Nakamichi 600 service manual page 19) and adjust the tape speed (refer to item 5.2 "Tape Speed Adjustment" on page 18).

## II. Modification:

### A. Motor Ass'y:

New MHX Motor Ass'y: Part No. CA03253B

(Previous MHX Motor Ass'y: Part No. CA03253A)

Ref. No.	Part No.	Description	Q'ty
	CA03253B	MHX Motor Ass'y	1
01	OJO3221A	Motor Bracket C	1
02	OCO3770A	Motor Pulley JA	1
03	OCO3950A	MHX Motor B	1
L01	OEO0120A	Screw M2 -3 Philips Pan Head	2
L02	OEO0224A	Screw M2 -3 Cone Point	1

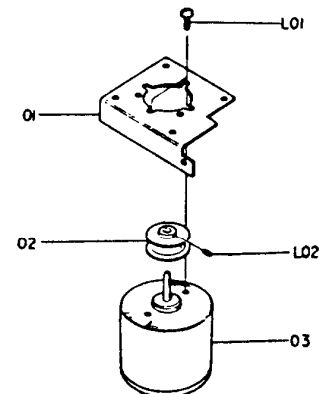


Fig.1

# Service Information



Model Nakamichi 600  
 Serial No. from  
 Subject \_\_\_\_\_

No. NR-0008 (2/3)  
 Date \_\_\_\_\_

## B. Governor Ass'y:

New MHX Governor Ass'y (B): Part No. OB08204A

(Previous MHX Governor Ass'y: Part No. CA03250A)

### Mounting Diagram

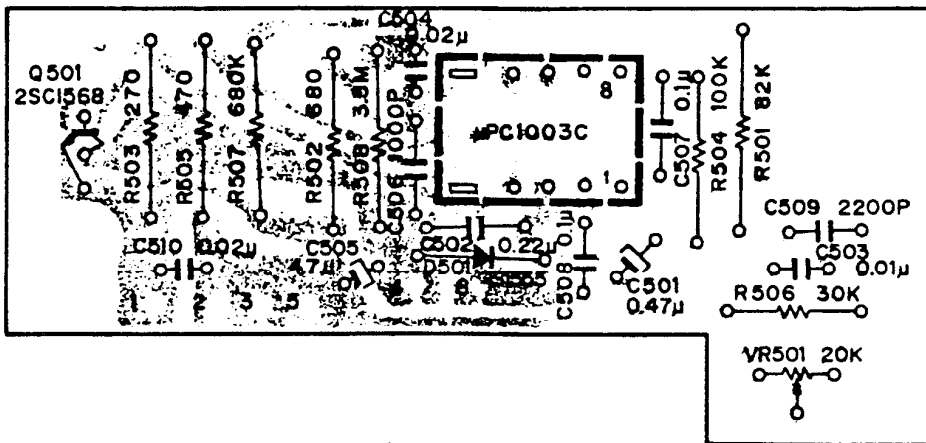


Fig.2

### Circuit Diagram

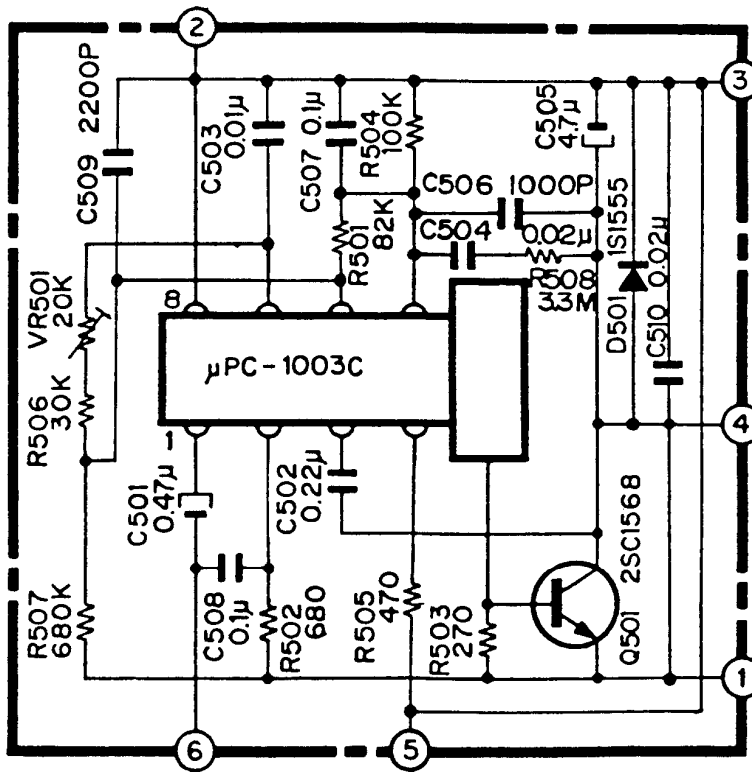


Fig.3

# Service Information



Model Nakamichi 600  
 Serial No. from  
 Subject \_\_\_\_\_

No. NR-0008 (3/3)  
 Date \_\_\_\_\_

### III. Modification Procedures for Previous Model:

Refer to Fig.4, wiring diagram.

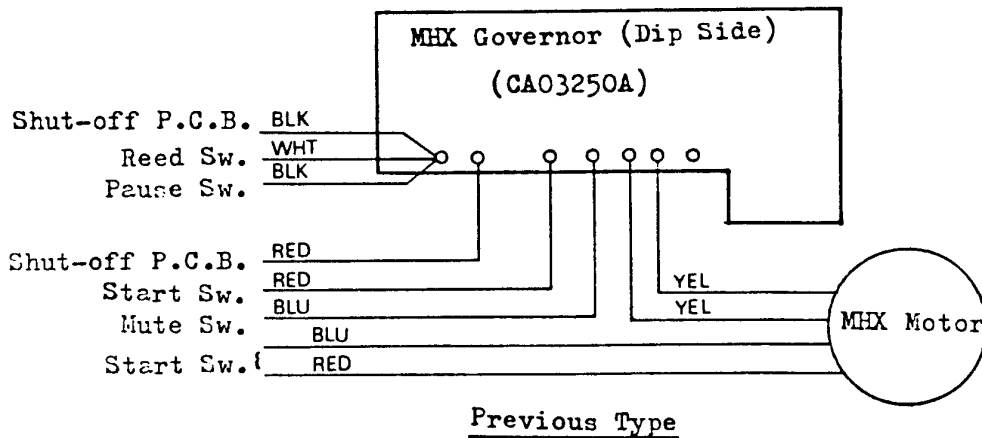
Remove previous motor ass'y and/or governor ass'y, and replace with new motor and/or governor ass'y.

#### Parts to be removed:

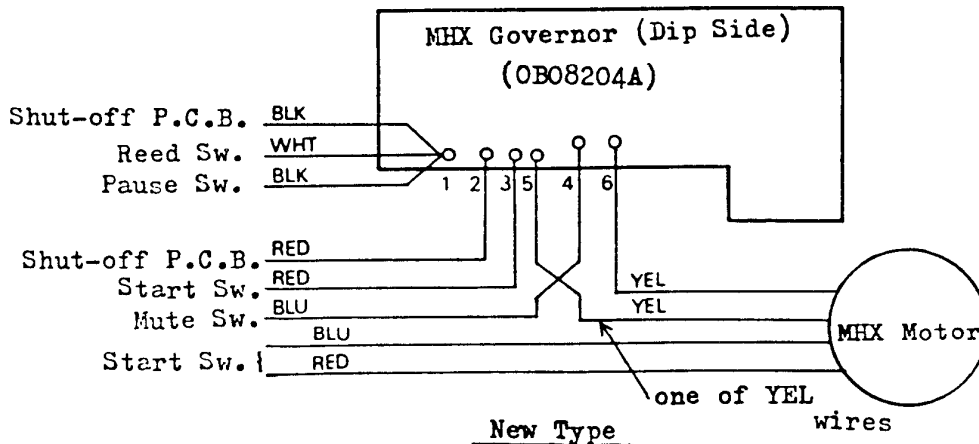
- Part No. CA03253A: MHX Motor Ass'y (1 pce.)
- Part No. CA03250A: MHX Governor Ass'y (1 pce.)

#### Parts for Modification:

- Part No. CA03253B: MHX Motor Ass'y (1 pce.)
- Part No. OBO8204A: MHX Governor Ass'y (B) (1 pce.)



Previous Type



New Type

Fig.4