

# Service Information



Model Nakamichi 410 (Control Preamplifier)

Serial No. from 4604101

Subject Modification of Monaural Circuit

No. NR-0012 (1/3)

Date 20 July, 1977

## I. General:

### A. Purpose:

Improvement of monaural function.

Monaural Sw. is used to set the tape playback input (TAPE) and the phono, aux., or tuner input (SOURCE) into the monaural mode.

In the circuit before modification, only phono, aux., or tuner input could be set to monaural mode.

### B. Modification:

The pattern of the Main P.C. Board has been changed partially and its part No. has been changed from OB07699C to OB07699D.

Refer to Fig. 1, circuit diagram, and Fig. 2, Main P.C.B. mounting diagram.

By this modification, monaural function will be changed as follow:

Monitor Sw.	Monaural Sw.	Previous Type	New Type
TAPE(tape playback input) side	on	ineffective	TAPE: monaural
SOURCE (phono, aux., or tuner) side	on	SOURCE: monaural	SOURCE: monaural

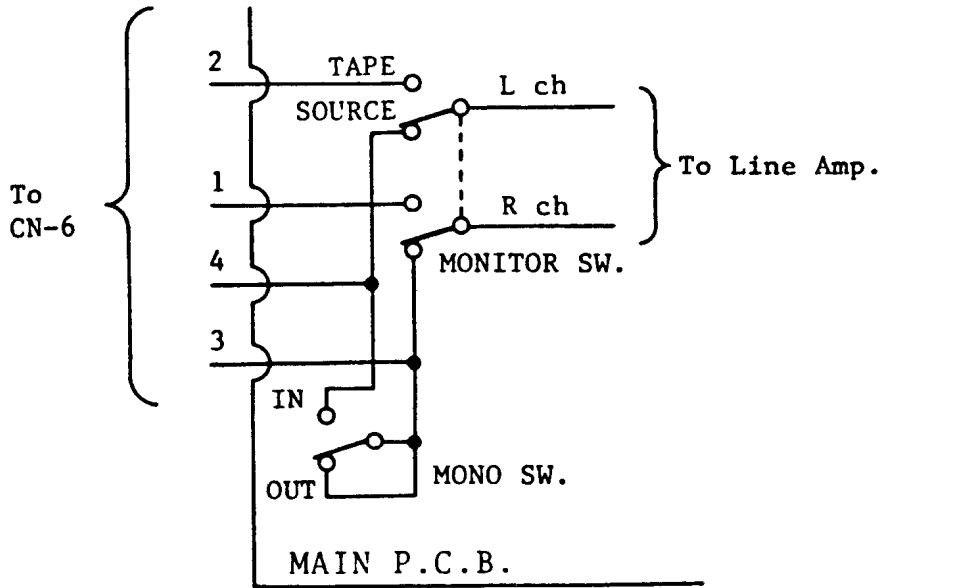
NOTE: The mounting diagram and schematic diagram of the Nakamichi 410 Service Manual show the modified monaural circuit.

### C. Compatibility:

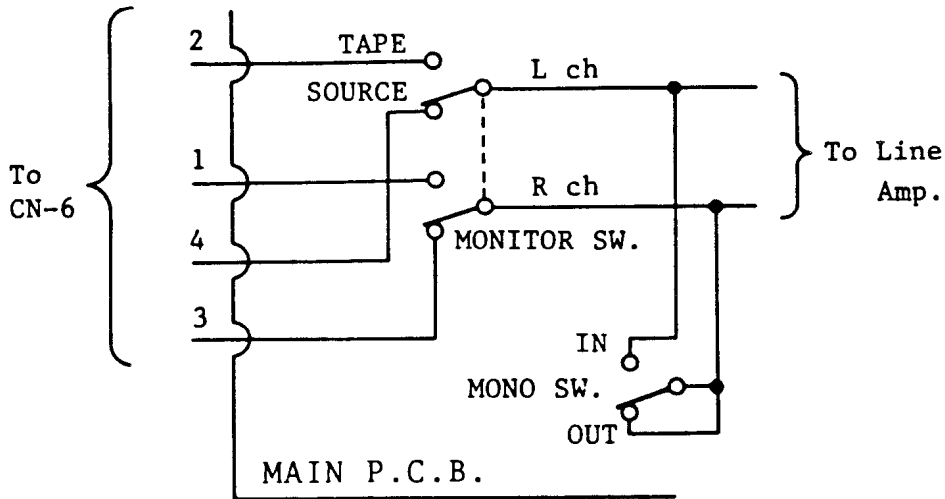
Previous Main P.C.B. (Part No. OB07699C) is compatible with new Main P.C.B. (OB07699D) except for the monaural function as discussed above.

## II. Modification Procedures:

1. Disassemble the Bottom Cover by removing six screws.
2. Cut the patterns, then connect the jumper wires between Monitor Sw. and Mono Sw. as shown in Fig. 3.
3. Mount the Bottom Cover.

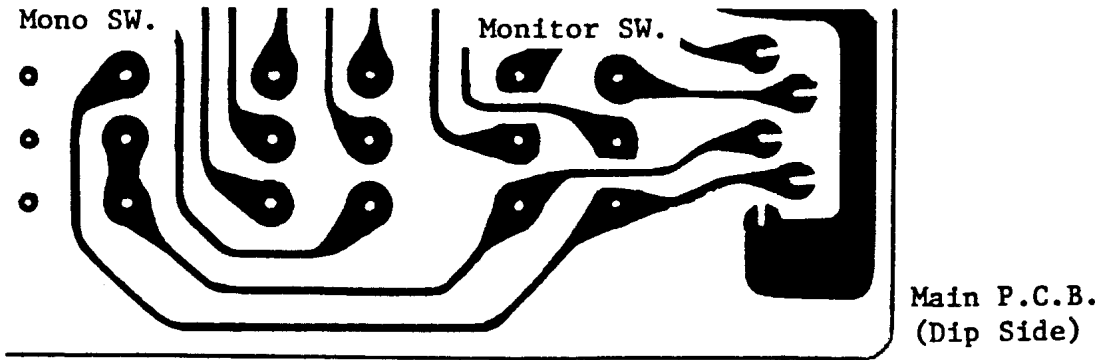


Before Modification

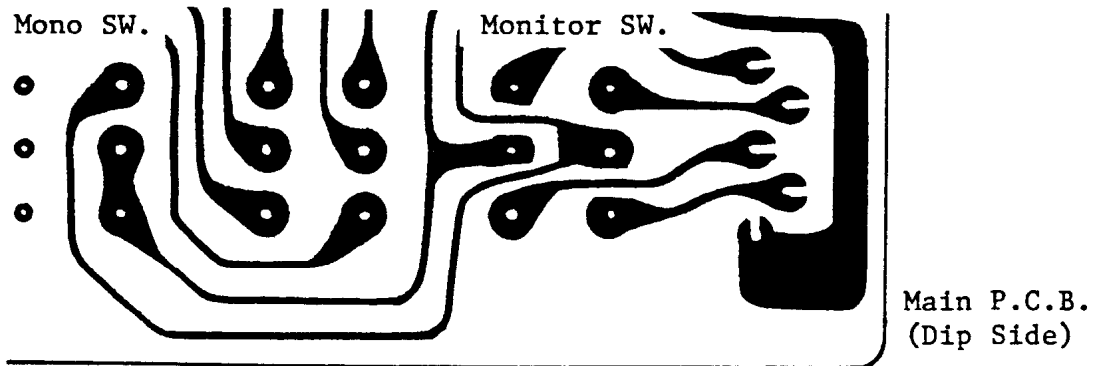


After Modification

Fig. 1



Before Modification



After Modification

Fig. 2

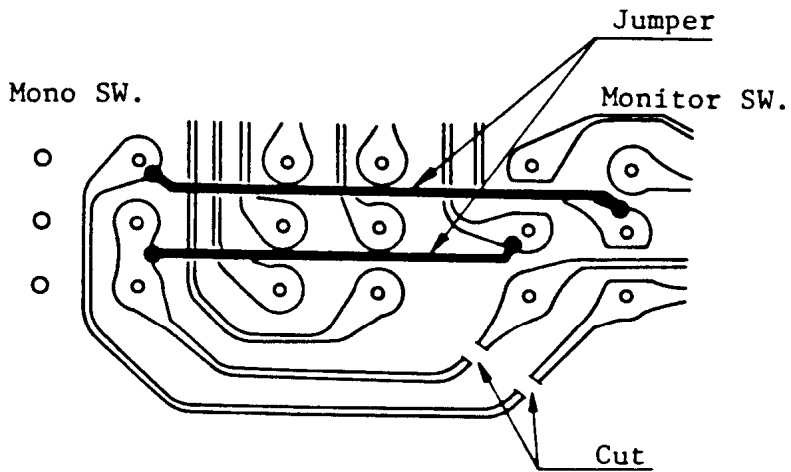


Fig. 3